

## Features

- ✓ Compact, lightweight and extremely affordable while providing excellent explosion protection
- ✓ Battery operation\*1 (approx. 250 hours) for high portability, requiring no power supply from a safe area via a safety barrier
- ✓ Auto power OFF function to save battery power
- ✓ Easy-to-read LCD display with backlight (16 mm character height)
- ✓ Hygienic and chemically resistant stainless steel (SUS304) weighing pan
- ✓ Multiple weighing units: g, oz, lb, ozt, ct, mom, dwt, gr, N, in addition to pcs (counting mode), % (percent mode) and SG (specific gravity)\*2
- ✓ Comparator function for faster and more accurate filling, packing, sorting, etc.
- ✓ Adjustable response characteristics depending on the degree of drafts and vibrations at the location
- ✓ Security ring for wire-locking the balance to prevent theft

\*1 Only to be used with four DURACELL AA alkaline MN1500 LR6, ENERGIZER AA E91 alkaline LR6 AM3, or Panasonic AA alkaline LR6 (XJ) 1.5V batteries.

\*2 Either tl (tael) or tol (tola) can be added upon request.



## Specifications

	EK-300EP	EK-3000EP	EK-12KEP
Weighing capacity	300 g	3000 g	12 kg
Minimum weighing value	0.01 g	0.1 g	1 g
Repeatability (standard deviation)	0.01 g	0.1 g	1 g
Linearity	±0.02 g	±0.2 g	±1 g
Sensitivity drift	±20 ppm/°C (10 to 30°C/50 to 86°F)		
Counting mode	Min. unit weight*3	0.01 g	0.1 g
	No. of samples	5, 10, 25, 50 or 100 pieces	
Percent mode	Min. % display	0.1%	
	Min. 100% weight	1 g	10 g
Operating temperature and humidity	0 to 40°C/32 to 104°F, 85% RH or less (no condensation)		
Battery life	Approx. 250 hours (with four AA alkaline batteries *1, backlight off)		
Weighing pan size	∅110 mm	133×170 mm	
Net weight	Approx. 1.2 kg	Approx. 1.5 kg	
Calibration weight*3	300 g	3000 g	10 kg

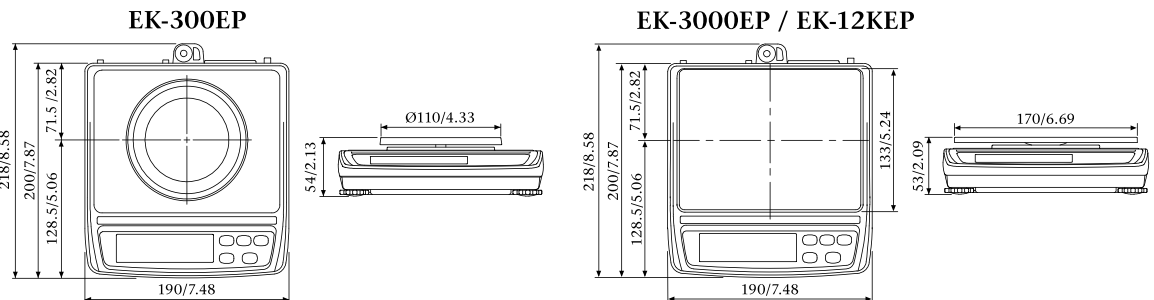
\*3 Factory setting

## Options

EJ-12 Carrying case



## Dimensions (mm/inches)



**AND**  
A&D Australasia

ACN 007 556 809

Head Office  
32 Dew Street  
THEBARTON South Australia 5031  
Telephone (08) 8301 8100  
Facsimile (08) 8352 7409

Victorian Office  
39 Bakehouse Road  
KENSINGTON Victoria 3031  
Telephone (03) 9372 1522  
Facsimile (03) 9372 1193

Email: [sales@andaustralasia.com.au](mailto:sales@andaustralasia.com.au)  
Internet page: [www.andaustralasia.com.au](http://www.andaustralasia.com.au)

New South Wales Office  
Unit 4, 14 Abbott Road  
SEVEN HILLS New South Wales 2147  
Telephone (02) 9674 5466  
Facsimile (02) 9674 2544

Your Dealer